

Technical Data

Accuracy

- Heading 0.25° secLat, RMS
- Roll & pitch 0.2° RMS
- Rate-of-turn 0.5°/min plus 5% of the indicated rate-of-turn
- secLat.=1/cosLatitude

Supply voltage & power consumption

- 24 V DC (10 – 36 V DC)
- 24 W

General data

Permissible ambient temperature

- Operation -20° C to +60° C
- Storage -30° C to +70° C
- Settling time 1h
- Permissible roll and pitch angle for full accuracy ±60°

Data interfaces

Standard 30 MF

- 3x RS422 serial inputs
- 4x RS422 serial outputs (NMEA or Anschütz Course Bus)
- Analog +/- 10 V output for rate-of-turn
- 2x Ethernet
- 2x CAN bus

Distribution unit

- 2x RS422 serial inputs (for speed and latitude)
- 2x RS422 serial inputs (for other heading sensors, option)
- 12x RS422 serial outputs (NMEA or Anschütz Course Bus)

Alerts

- System failure with potential-free relay contact
- ALR/ACK NMEA alert communication via RS422 interfaces (acc. to IEC 61162-1)
- Bridge Alert Management communication via Ethernet (acc. to IEC 62923-1/-2)

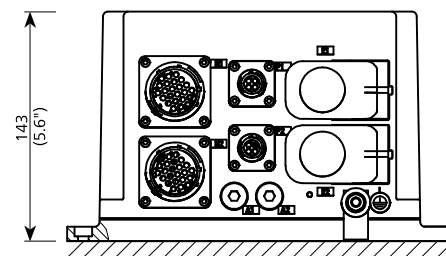
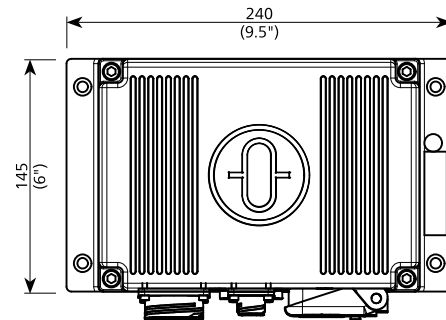
Weight

- Standard 30 MF: 3,3 kg (without cables)

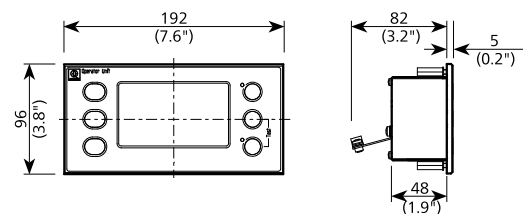
Type of enclosure acc. to IEC/EN 60529

- Gyro compass IP 44
- Operator unit IP 23/IP 56 front sided
- Distribution unit IP 22

Standard 30 MF



Operator unit



Distribution unit (option)

